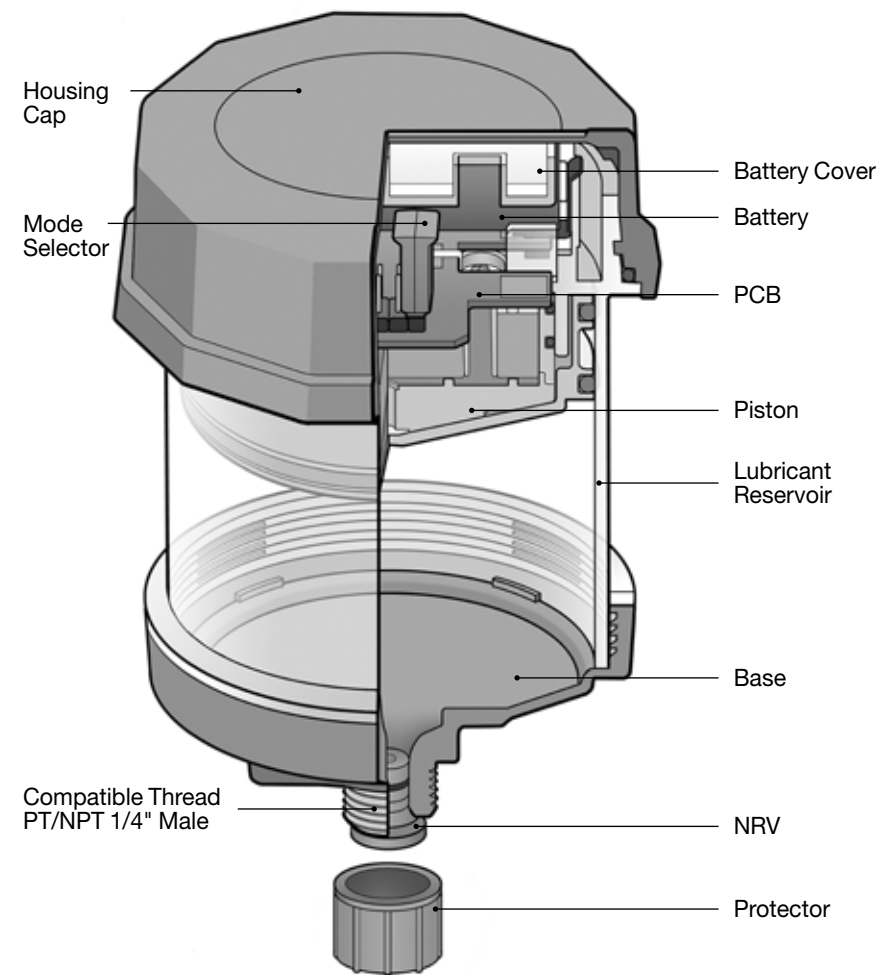
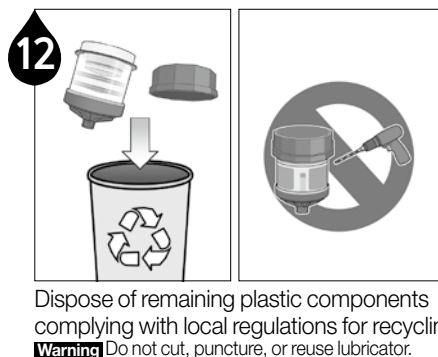
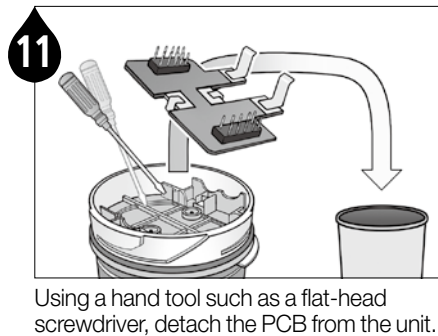
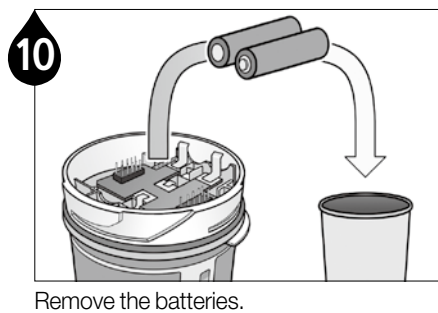
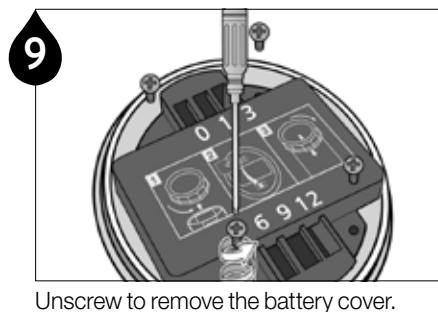
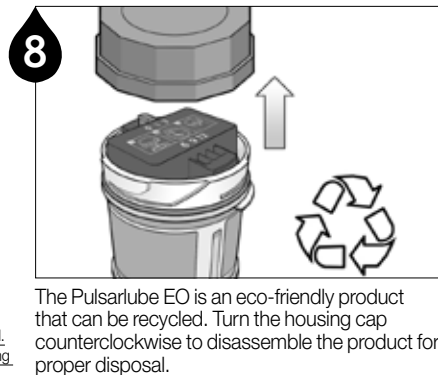
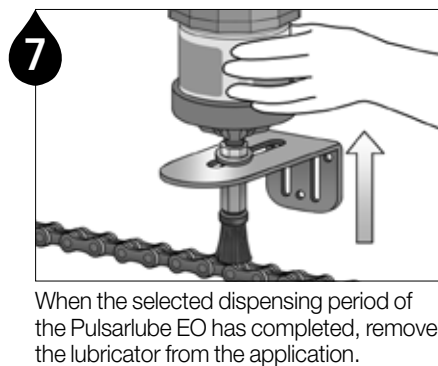
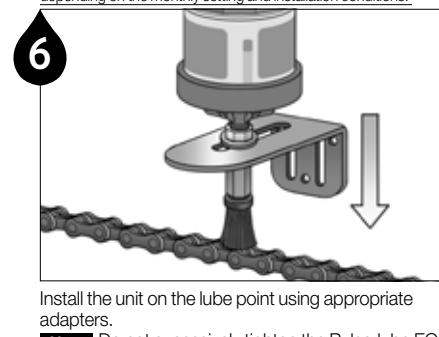
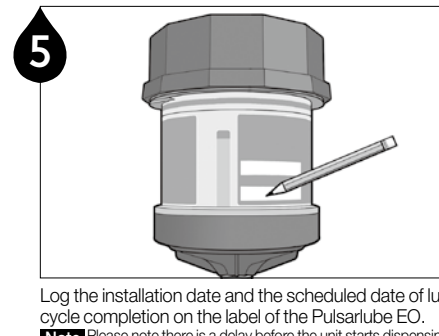
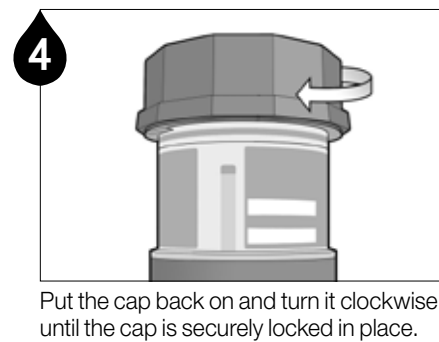
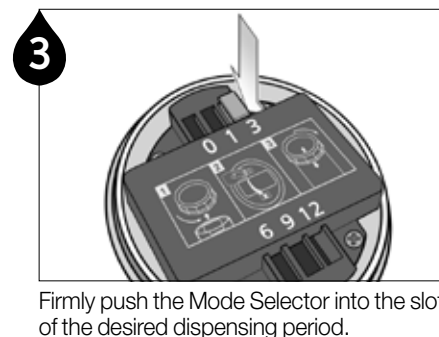
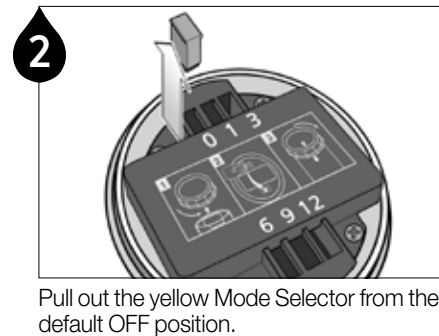
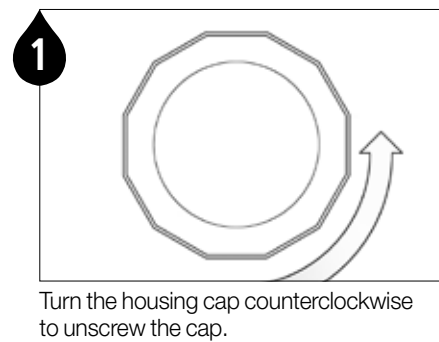
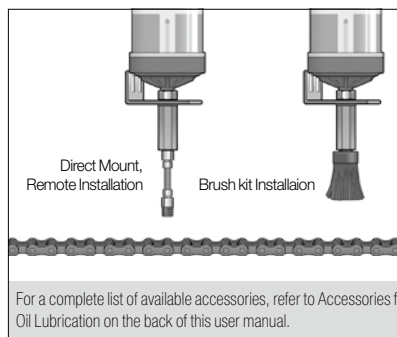
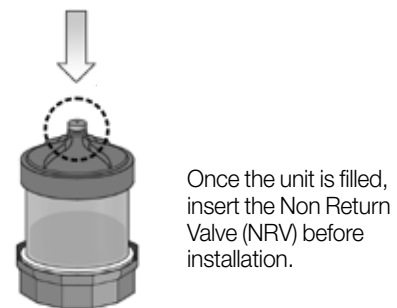
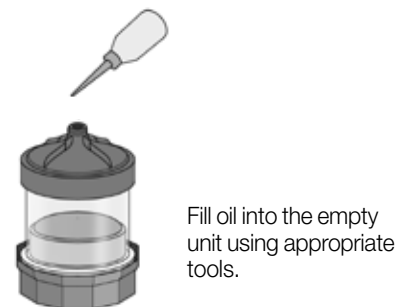


## Product Details

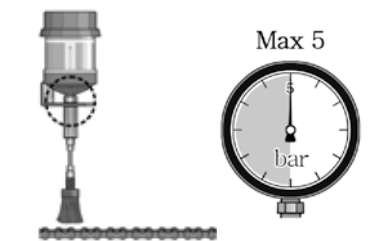


## Installation & Disposal Guidelines

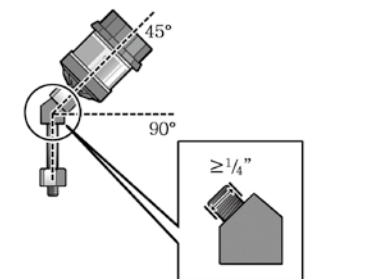


## Installation Precautions

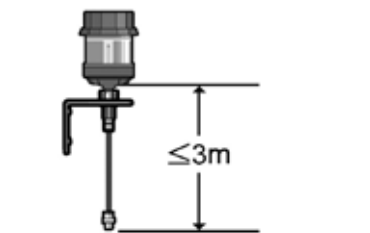
Avoid high backpressure. The backpressure at the tip of lubricator must be under 5bar.



When installing the unit at a 45° angle or greater, use an adapter with 1/4" or bigger thread if the total weight of the unit and accessories exceeds 1kg.



For remote installation using a Ø4 tube, keep the maximum distance at 3m (10ft) or less.



## Product Certifications

### Certifications

**IECEX** Ex ia IIC T4 Ga  
IECEX KTL 12.0008X  
-20°C ≤ Ta ≤ +55°C

IEC 60079-0:2011  
IEC 60079-11:2011

**ATEX** CE 0344  
II 1 G Ex ia IIC T4 Ga  
INERIS 12ATEX0062X  
-20°C ≤ Ta ≤ +55°C

EN 60079-0:2012/A11:2013  
EN 60079-11:2012

**KCs** Ex ia IIC T4  
12-KB2BO-0283X  
-20°C ≤ Ta ≤ +55°C

**IP68**

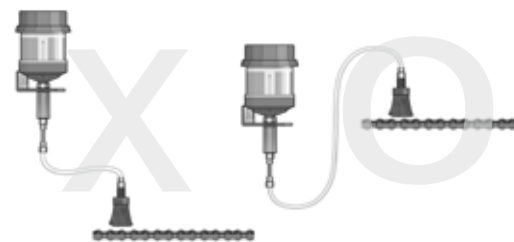
**UL** UL US LISTED  
E352761

Cl. I, Div. 1, Gps. A, B, C, D  
Cl. II, Div. 1, Gps. E, F, G  
Hazardous locations, intrinsically safe, Exia,  
Temp. Code T4, -25°C ≤ Ta ≤ +55°C

Approval No. 18-A180003-0  
TESTED FOR INTRINSIC SAFETY IN METHANE  
-AIR MIXTURES ONLY

### Warning

- ▶ Locations : Intrinsically Safe, SÉCURITÉ INTRINSÈQUE Exia
- ▶ Potential electrostatic charging hazard; clean only with a damp cloth
- ▶ Do not change, replace, or charge battery cells
- ▶ Temp Code T4 : -25°C ≤ TA ≤ +55°C
- ▶ Substitution of components may impair Intrinsic Safety : AVERTISSEMENT : LA SUBSTITUTION DE COMPOSANTS PEUT COMPROMETTRE LA SÉCURITÉ INTRINSÈQUE
- ▶ If ignitable gasses are present, touch only with an insulating object or while wearing an electrostatic grounding device
- ▶ To prevent ignition of flammable or combustible atmospheres, read, understand, and adhere to manufacturer's live maintenance procedure
- ▶ The batteries are not user-replaceable



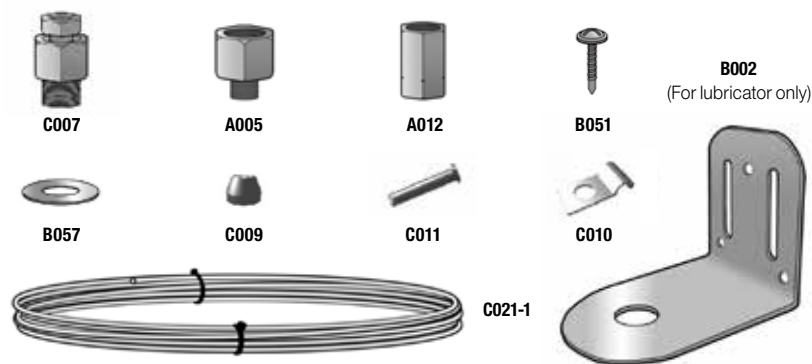
### Warning

For oils below ISO VG 100, place the oiler below the lube point and twist the lube line a couple of times to avoid oil leaks caused by gravity.

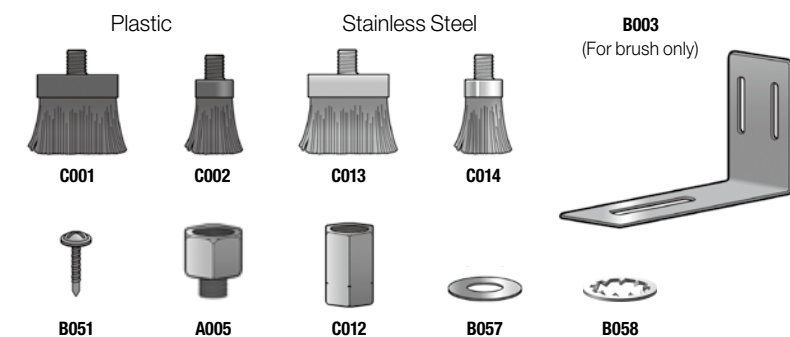
**Warning** This product is a disposable unit. Please replace with a new unit once set dispensing period has completed.

### Accessories for Oil Lubrication (Sold Separately)

Single Point Remote Installation Kit ( Kit No. C035 )



Oil Brush & Bracket Kits ( Kit No. C036-39 )



Use OEM Pulsarlube oil kits to ensure proper lubrication

**Note** To download installation manuals, please visit our website at [www.pulsarlube.com](http://www.pulsarlube.com)  
Products → Installation Kits → Oil Lubrication

**Shelf life and Product Warranty** Warranty is limited to original defects in material and workmanship and will not cover any collateral damage due to mishandling, abuse and /or any other inappropriate use of this product. Warranty period is 1 year from the date of purchase.

Rev.00

**PULSARLUBE**  
The World Leader of Automatic Lubrication

### Pulsarlube USA, Inc.

1480 Howard Street, Elk Grove Village, IL 60007, USA  
TEL:1-847-593-5300 FAX:1-847-593-5303 [www.pulsarlube.com](http://www.pulsarlube.com) / [info@pulsarlube.com](mailto:info@pulsarlube.com)

**PULSARLUBE**

**User Manual**

Pulsarlube **EO**

**Series**  
(60ml/120ml/240ml)

